

Standard Equipment

- ⇒ Rain and Light Sensor
 - ⇒ Daytime Running Lights
- from May 2008

Note:

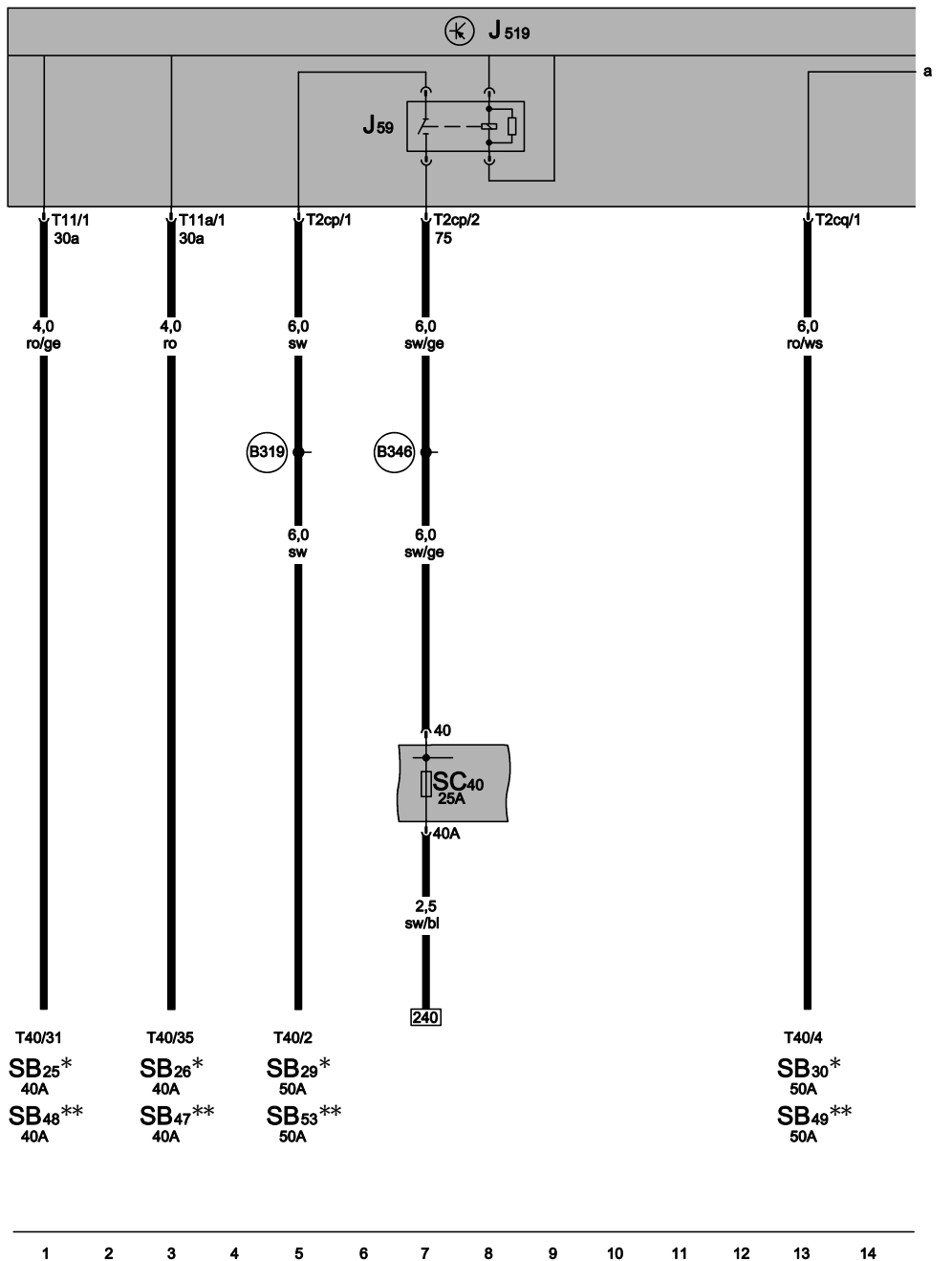
Information for

- ◆ Relay and fuse arrangements
- ◆ Connector arrangements
- ◆ Control Modules and Relays
- ◆ Ground connections

⇒ Component Locations

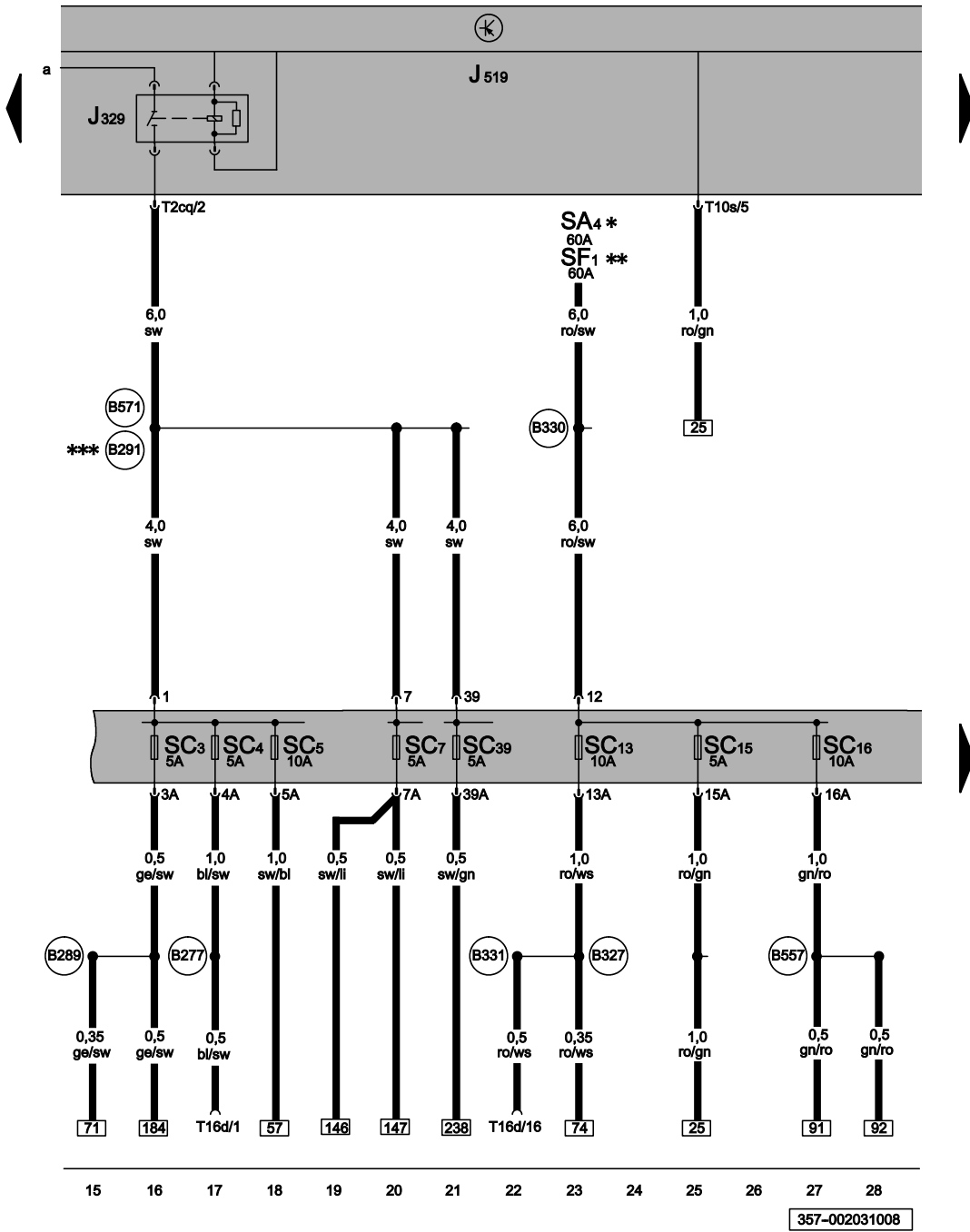
Information for

- ◆ Troubleshooting Procedures
- ⇒ Guided Fault Finding using VAS 5051 / 5052



Load Reduction Relay, Vehicle Electrical System Control Module, Fuses

- J59 Load Reduction Relay
- J519 Vehicle Electrical System Control Module
- SB25 Fuse 25 (on fuse panel B)
- SB26 Fuse 26 (on fuse panel B)
- SB29 Fuse 29 (on fuse panel B)
- SB30 Fuse 30 (on fuse panel B)
- SB47 Fuse 47 (on fuse panel B)
- SB48 Fuse 48 (on fuse panel B)
- SB49 Fuse 49 (on fuse panel B)
- SB53 Fuse 53 (on fuse panel B)
- SC40 Fuse 40 (on fuse panel C)
- T2cp Double Connector, brown
- T2cq Double Connector, black
- T11 11-Pin Connector, black
- T11a 11-Pin Connector, brown
- T40 40-Pin Connector, on electronics box
- (B319) Plus Connection 5 (30a) (in main wiring harness)
- (B346) Connection 1 (75) (in main wiring harness)
- * Fuses in electronics box Low
- ** Fuses in electronics box High



Power Supply Relay (terminal 15), Vehicle Electrical System Control Module, Fuses

- J329 Power Supply Relay (terminal 15)
- J519 Vehicle Electrical System Control Module
- SA4 Fuse 4 (on fuse panel A)
- SC3 Fuse 3 (on fuse panel C)
- SC4 Fuse 4 (on fuse panel C)
- SC5 Fuse 5 (on fuse panel C)
- SC7 Fuse 7 (on fuse panel C)
- SC13 Fuse 13 (on fuse panel C)
- SC15 Fuse 15 (on fuse panel C)
- SC16 Fuse 16 (on fuse panel C)
- SC39 Fuse 39 (on fuse panel C)
- SF1 Fuse 1 (on fuse panel F)
- T2cq Double Connector, black
- T10s 10-Pin Connector, black
- T16d 16-Pin Connector, Data Link Connector (DLC)

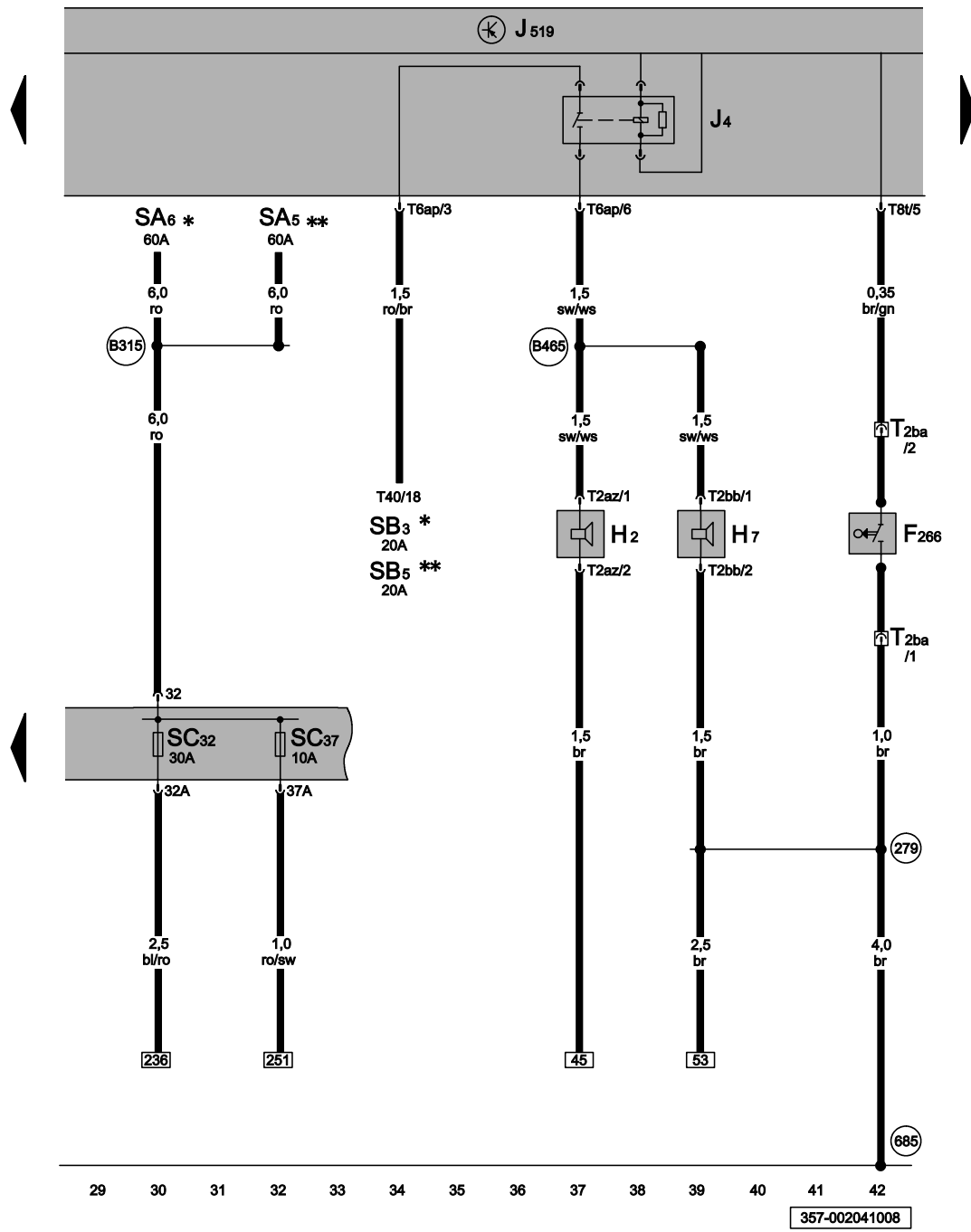
- (B277) Plus Connection 1 (15a) (in main wiring harness)
- (B289) Plus Connection 13 (15a) (in main wiring harness)
- (B291) Plus Connection 15 (15a) (in main wiring harness)
- (B327) Plus Connection 13 (30a) (in main wiring harness)
- (B330) Plus Connection 16 (30a) (in main wiring harness)
- (B331) Plus Connection 17 (30a) (in main wiring harness)
- (B557) Plus Connection 21 (30a) (in main wiring harness)
- (B571) Connection 38 (in main wiring harness)

- * Fuses in electronics box Low
- ** Fuses in electronics box High
- *** Applicable from November 2008

- ws = white
- sw = black
- ro = red
- br = brown
- gn = green
- bl = blue
- gr = grey
- li = lilac
- ge = yellow
- or = orange
- rs = pink

357-002031008

Front Hood Switch, Horn, Vehicle Electrical System Control Module



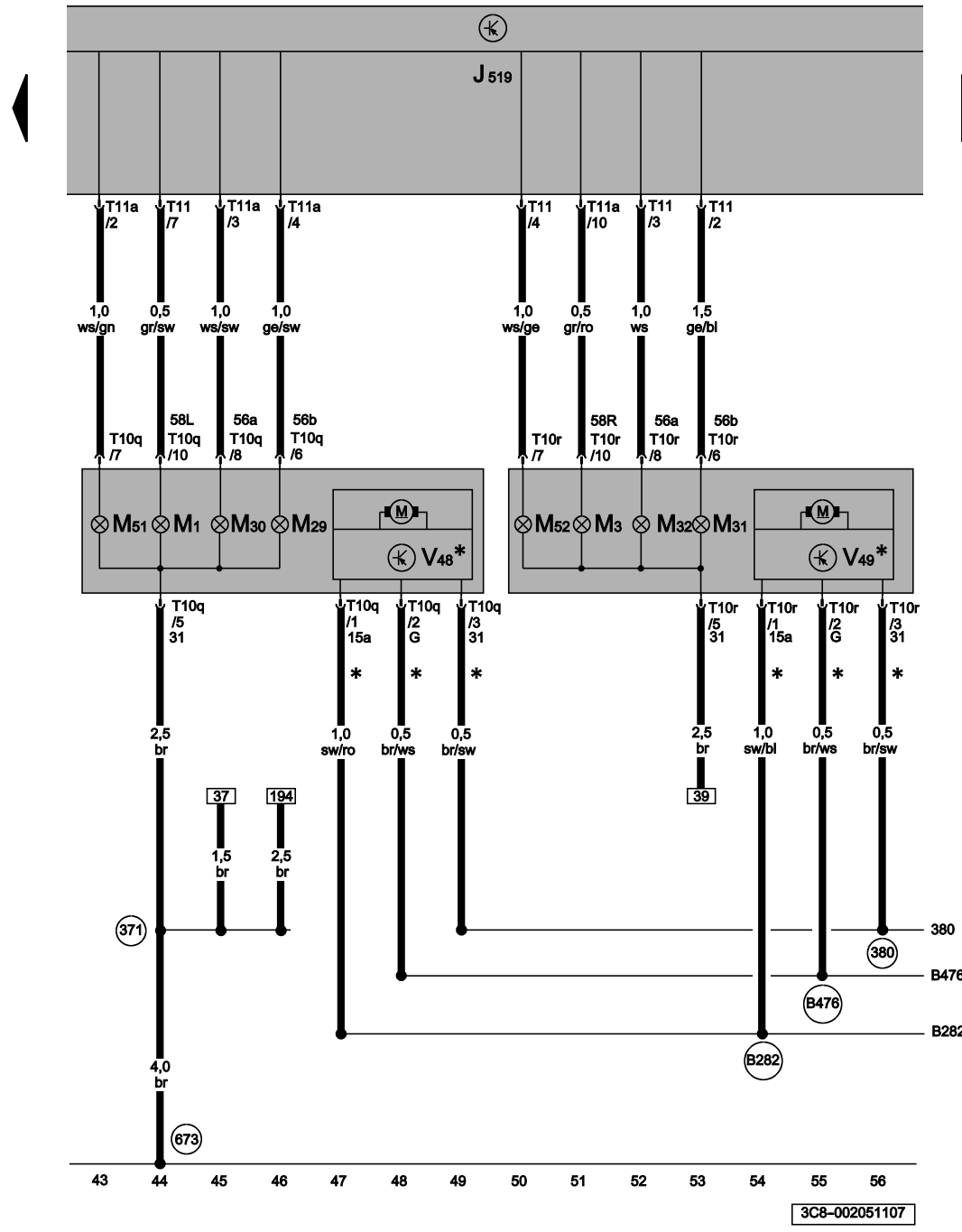
- F266 Front Hood Switch
- H2 High Tone Horn
- H7 Low Tone Horn
- J4 Dual Horn Relay
- J519 Vehicle Electrical System Control Module
- SA5 Fuse 5 (on fuse panel A)
- SA6 Fuse 6 (on fuse panel A)
- SB3 Fuse 3 (on fuse panel B)
- SB5 Fuse 5 (on fuse panel B)
- SC32 Fuse 32 (on fuse panel C)
- SC37 Fuse 37 (on fuse panel C)
- T2az Double Connector
- T2ba Double Connector, black, behind right headlamp
- T2bb Double Connector
- T6ap 6-Pin Connector
- T8t 8-Pin Connector, black
- T40 40-Pin Connector, on electronics box

- (279) Ground Connection 5 (in passenger compartment wiring harness)
- (685) Ground Connection 1 (on right front long member)
- (B315) Plus Connection 1 (30a) (in main wiring harness)
- (B465) Connection 1 (in main wiring harness)
- * Fuses in electronics box Low
- ** Fuses in electronics box High

- ws = white
- sw = black
- ro = red
- br = brown
- gn = green
- bl = blue
- gr = grey
- li = lilac
- ge = yellow
- or = orange
- rs = pink

29 30 31 32 33 34 35 36 37 38 39 40 41 42

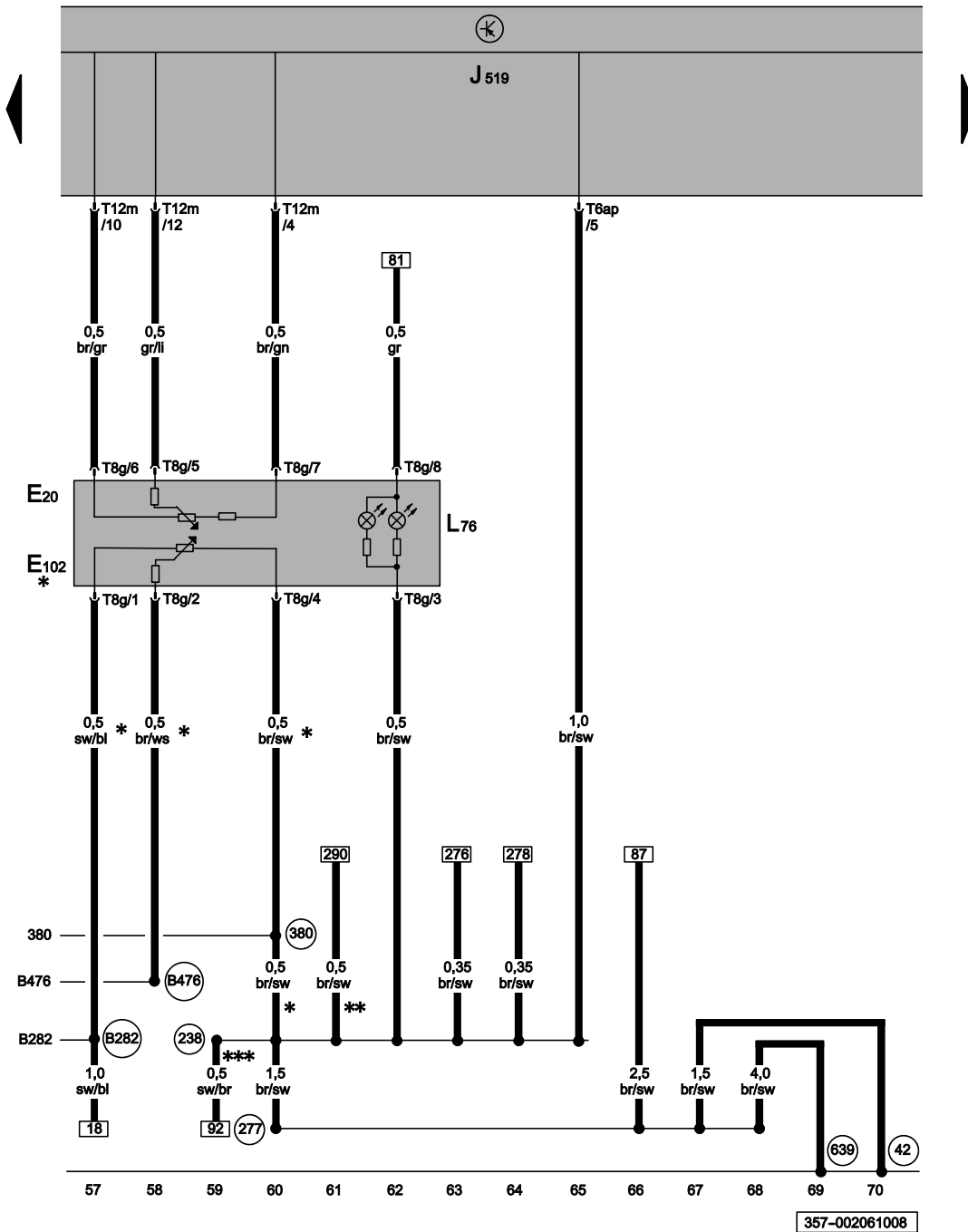
357-002041008



Left and right Headlamp

- J519 Vehicle Electrical System Control Module
- M1 Left Parking Lamp
- M3 Right Parking Lamp
- M29 Left Low Beam Headlamp
- M30 Left High Beam Headlamp
- M31 Right Low Beam Headlamp
- M32 Right High Beam Headlamp
- M51 Left Cornering Lamp (stationary)
- M52 Right Cornering Lamp (stationary)
- T10q 10-Pin Connector, black
- T10r 10-Pin Connector, black
- T11 11-Pin Connector, black
- T11a 11-Pin Connector, brown
- V48 Left Headlamp Beam Adjustment Motor
- V49 Right Headlamp Beam Adjustment Motor

- 371 Ground Connection 6 (in main wiring harness)
- 380 Ground Connection 15 (in main wiring harness)
- 673 Ground Connection 3 (on left front long member)
- B282 Plus Connection 6 (15a) (in main wiring harness)
- B476 Connection 12 (in main wiring harness)
- * Not applicable to US/CDN



Instrument Panel Illumination Dimmer Switch, Push Button Illumination, Headlamp Adjuster

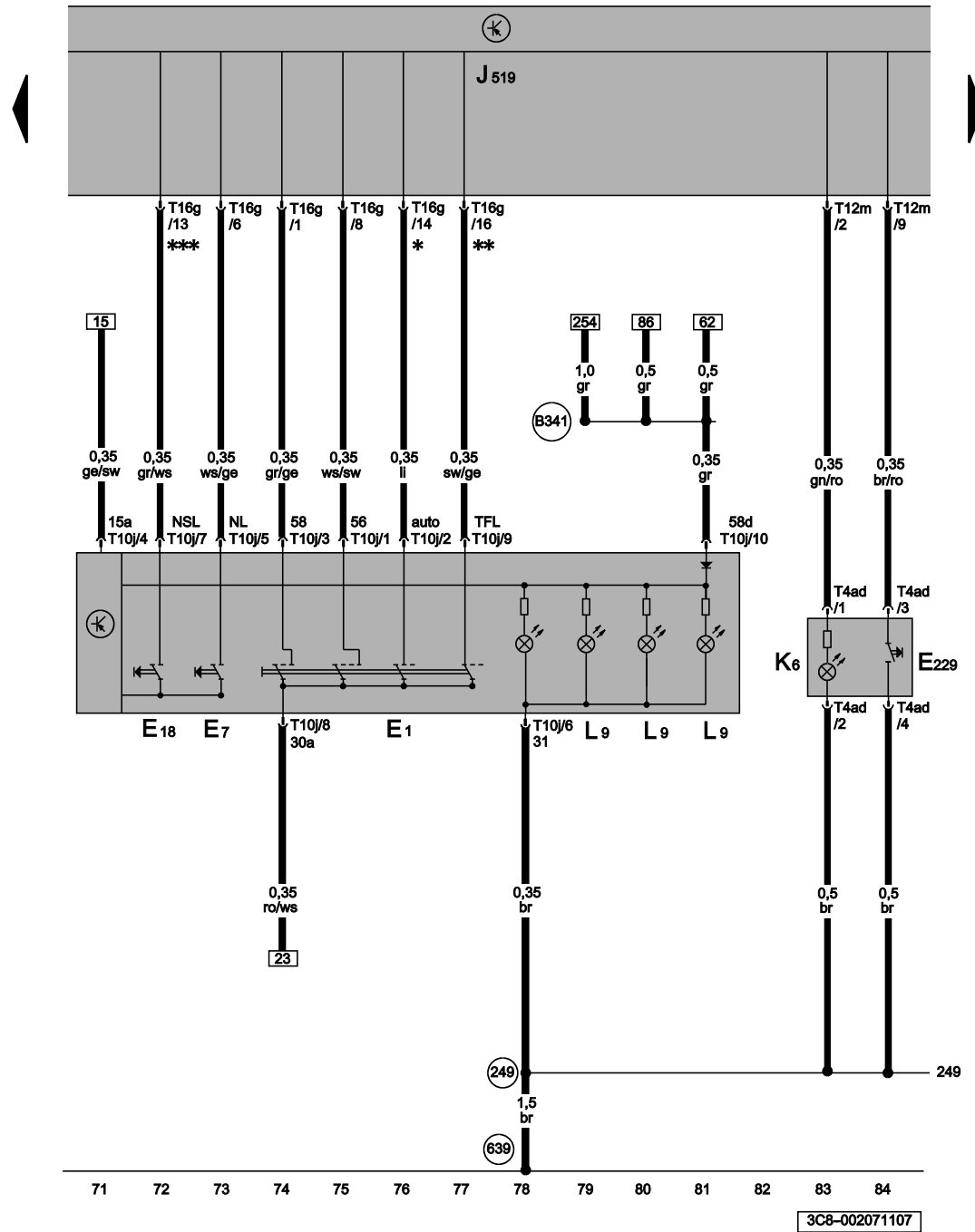
- E20 Instrument Panel Illumination Dimmer Switch
- E102 Headlamp Adjuster
- J519 Vehicle Electrical System Control Module
- L76 Push Button Illumination
- T6ap 6-Pin Connector, black
- T8g 8-Pin Connector
- T12m 12-Pin Connector, black

- (42) Ground Connection (beside steering column)
- (238) Ground Connection 1 (in passenger compartment wiring harness)
- (277) Ground Connection 3 (in passenger compartment wiring harness)
- (380) Ground Connection 15 (in main wiring harness)
- (639) Ground Connection (on left A-pillar)
- (B282) Plus Connection 6 (15a) (in main wiring harness)
- (B476) Connection 12 (in main wiring harness)

* Not applicable to US/CDN
 ** Not applicable from November 2008
 *** Only models with stop/start system

- ws = white
- sw = black
- ro = red
- br = brown
- gn = green
- bl = blue
- gr = grey
- li = lilac
- ge = yellow
- or = orange
- rs = pink

357-002061008



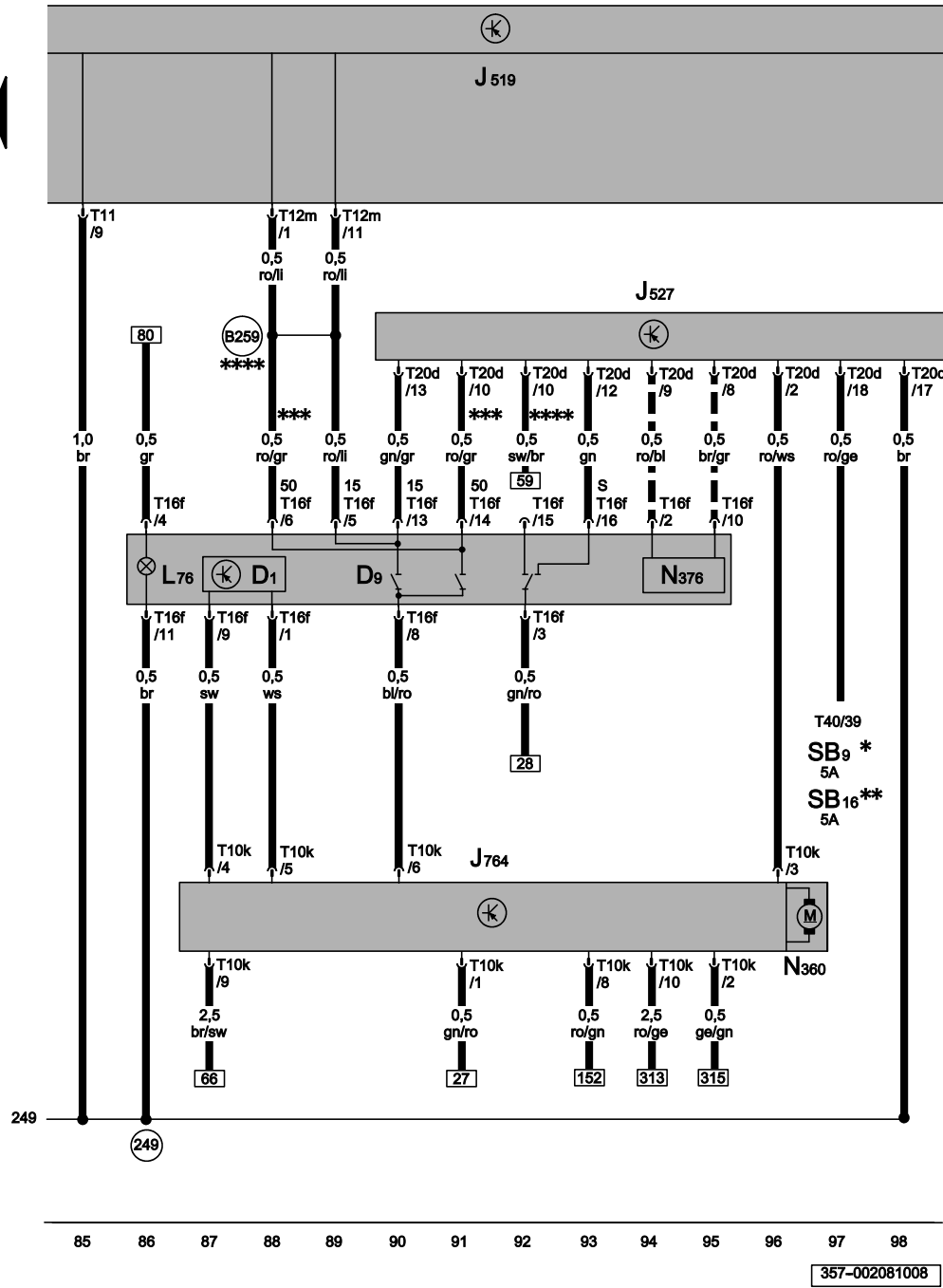
Light Switch, Fog Lamp Switch, Headlamp Switch Illumination, Emergency Flasher Button

- E1 Light Switch
- E7 Fog Lamp Switch
- E18 Rear Fog Lamp Switch
- E229 Emergency Flasher Button
- J519 Vehicle Electrical System Control Module
- K6 Emergency Flasher Indicator Lamp
- L9 Headlamp Switch Illumination
- T4ad 4-Pin Connector
- T10j 10-Pin Connector, black
- T12m 12-Pin Connector, black
- T16g 16-Pin Connector, black
- 249 Ground Connection 2 (in passenger compartment wiring harness)
- 639 Ground Connection (on left A-pillar)
- B341 Connection 2 (58d) (in main wiring harness)
- * Only models with automatic headlamps
- ** Only models with daytime running lights
- *** Where applicable to US/CDN

- ws = white
- sw = black
- ro = red
- br = brown
- gn = green
- bl = blue
- gr = grey
- li = lilac
- ge = yellow
- or = orange
- rs = pink

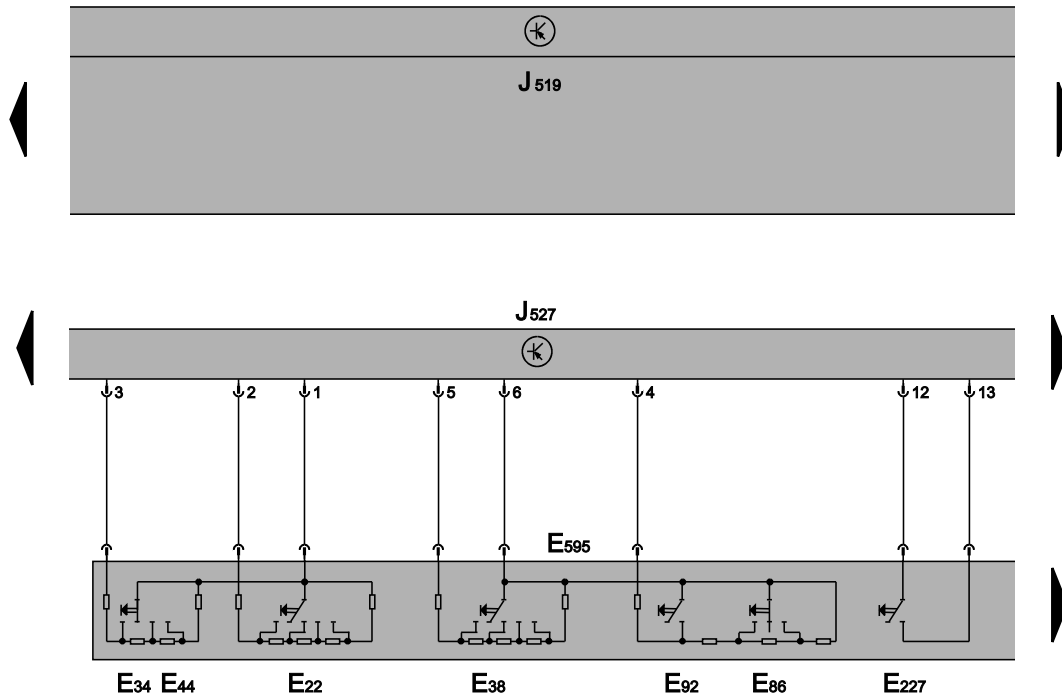
3C8-002071107

Anti-Theft Immobilizer Reading Module, Electronic Steering Column Lock Control Module, Steering Column Electronic Systems Control Module, Electronic Ignition Switch, Ignition Switch Key Lock Solenoid, Vehicle Electrical System Control Module



- D1 Anti-Theft Immobilizer Reading Module
- D9 Electronic Ignition Switch
- J519 Vehicle Electrical System Control Module
- J527 Steering Column Electronic Systems Control Module
- J764 Electronic Steering Column Lock Control Module
- L76 Push Button Illumination
- N360 Steering Column Lock Actuator
- N376 Ignition Switch Key Lock Solenoid
- SB9 Fuse 9 (on fuse panel B)
- SB16 Fuse 16 (on fuse panel B)
- T10k 10-Pin Connector
- T11 11-Pin Connector, black
- T12m 12-Pin Connector, black
- T16f 16-Pin Connector
- T20d 20-Pin Connector
- T40 40-Pin Connector
- 249 Ground Connection 2 (in passenger compartment wiring harness)
- B259 Connection (stop/start signal) in interior wiring harness
- * Fuses in electronics box Low
- ** Fuses in electronics box High
- *** Only models without stop/start system
- **** Only models with stop/start system
- Only models with Tiptronic

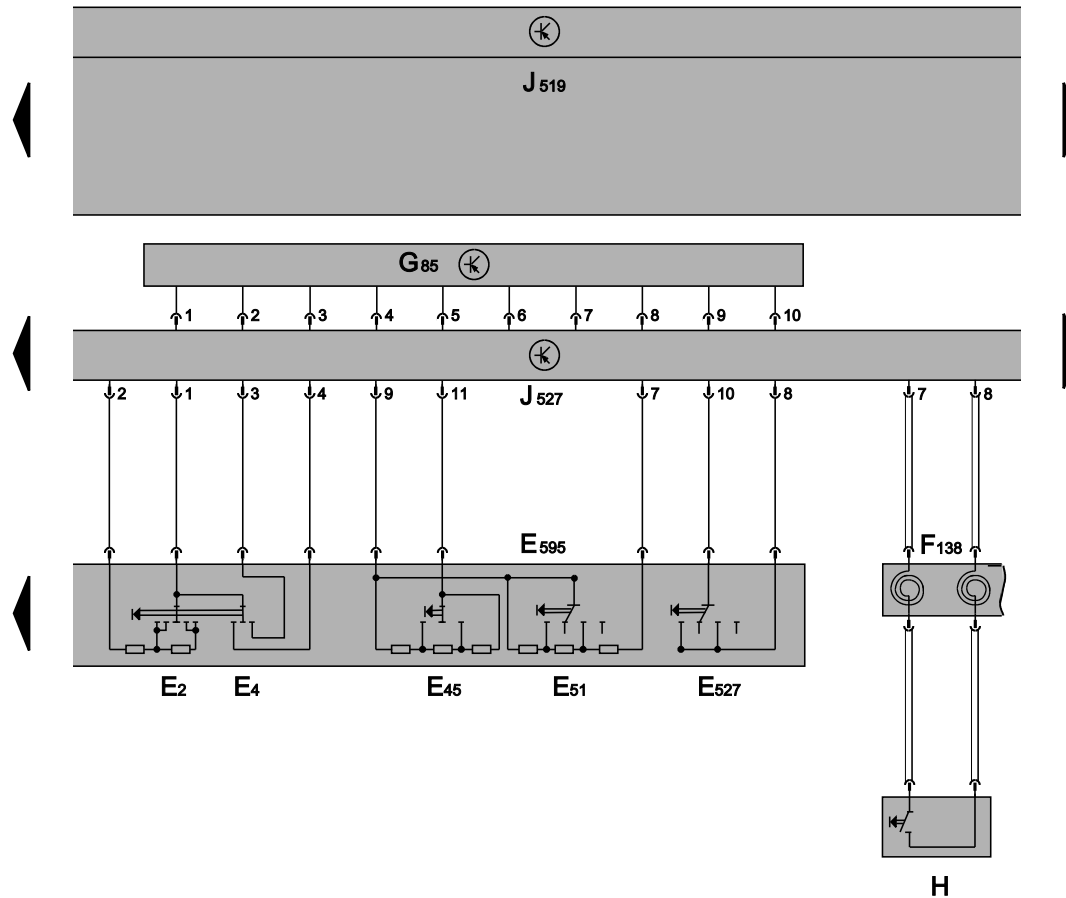
357-002081008



Windshield Wiper/Washer Switch, Vehicle Electrical System Control Module, Steering Column Electronic Systems Control Module

- E22 Windshield Wiper Intermittent Switch
- E34 Rear Window Wiper Switch
- E38 Windshield Wiper Intermittent Regulator
- E44 Windshield and Headlamp Washer Pump Switch
- E86 Multi-function Indicator Call-up Button
- E92 Board Computer Reset Button
- E227 Cruise Control -SET- Button
- E595 Windshield Wiper/Washer Switch
- J519 Vehicle Electrical System Control Module
- J527 Steering Column Electronic Systems Control Module

- ws = white
- sw = black
- ro = red
- br = brown
- gn = green
- bl = blue
- gr = grey
- li = lilac
- ge = yellow
- or = orange
- rs = pink



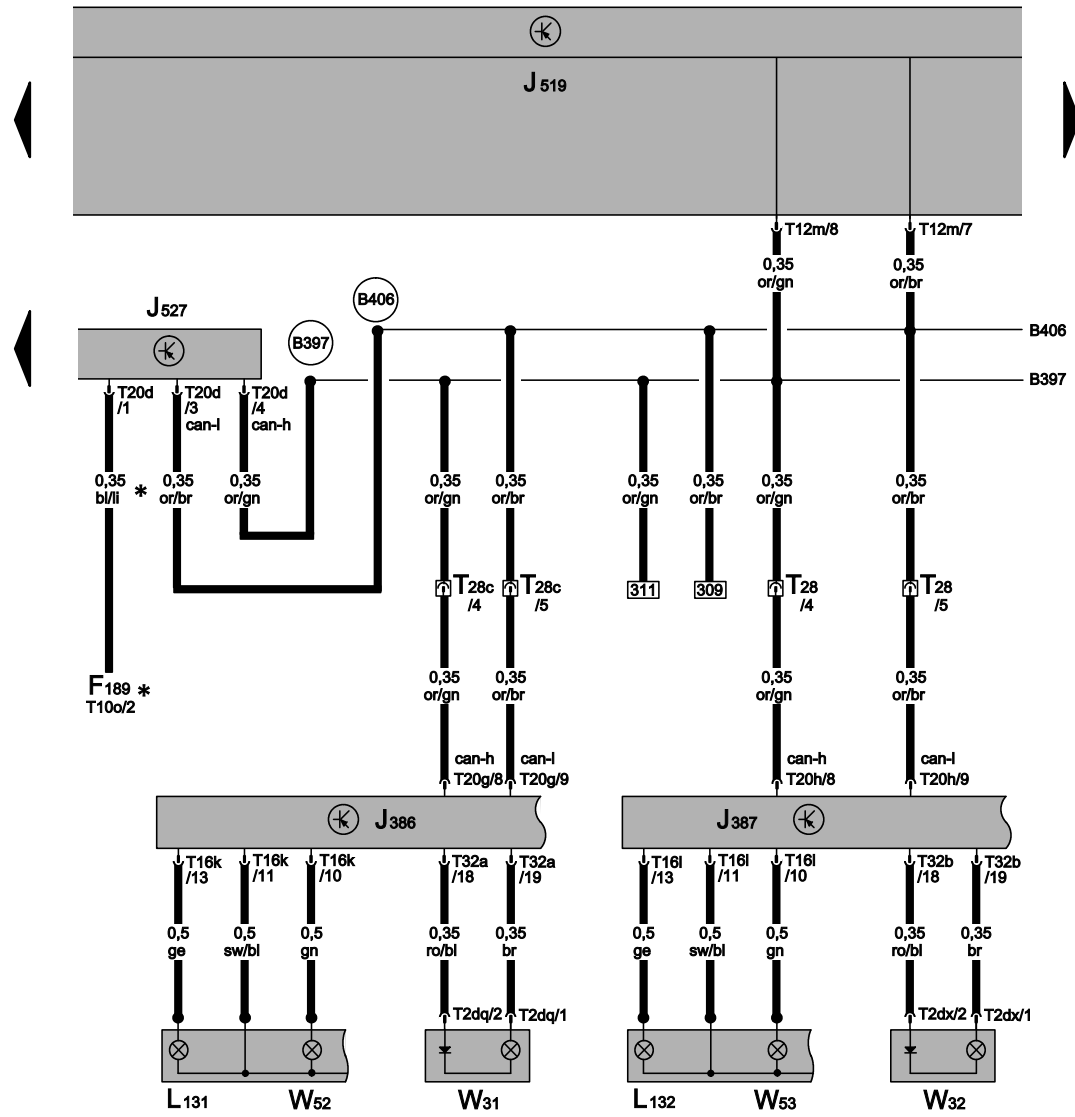
Windshield Wiper/Washer Switch, Airbag Spiral Spring/
Return Spring With Slip Ring, Steering Angle Sensor, Vehicle
Electrical System Control Module, Steering Column
Electronic Systems Control Module

- E2 Turn Signal Switch
- E4 Headlamp Dimmer/Flasher Switch
- E45 Cruise Control Switch
- E51 Cruise Control Main Switch
- E527 Temporary Cruise Control Switch-Off Button
- E595 Windshield Wiper/Washer Switch
- F138 Airbag Spiral Spring/Return Spring With Slip Ring
- G85 Steering Angle Sensor
- H Signal Horn Activation
- J519 Vehicle Electrical System Control Module
- J527 Steering Column Electronic Systems Control Module
- ▬ Foil Conductor

- ws = white
- sw = black
- ro = red
- br = brown
- gn = green
- bl = blue
- gr = grey
- li = lilac
- ge = yellow
- or = orange
- rs = pink

113 114 115 116 117 118 119 120 121 122 123 124 125 126

3C8-002101107



Tiptronic Switch, Door Control Module, Front Entry Lights, Exterior Mirror Turn Signal Lamp, Entry Lamps (in outside mirror)

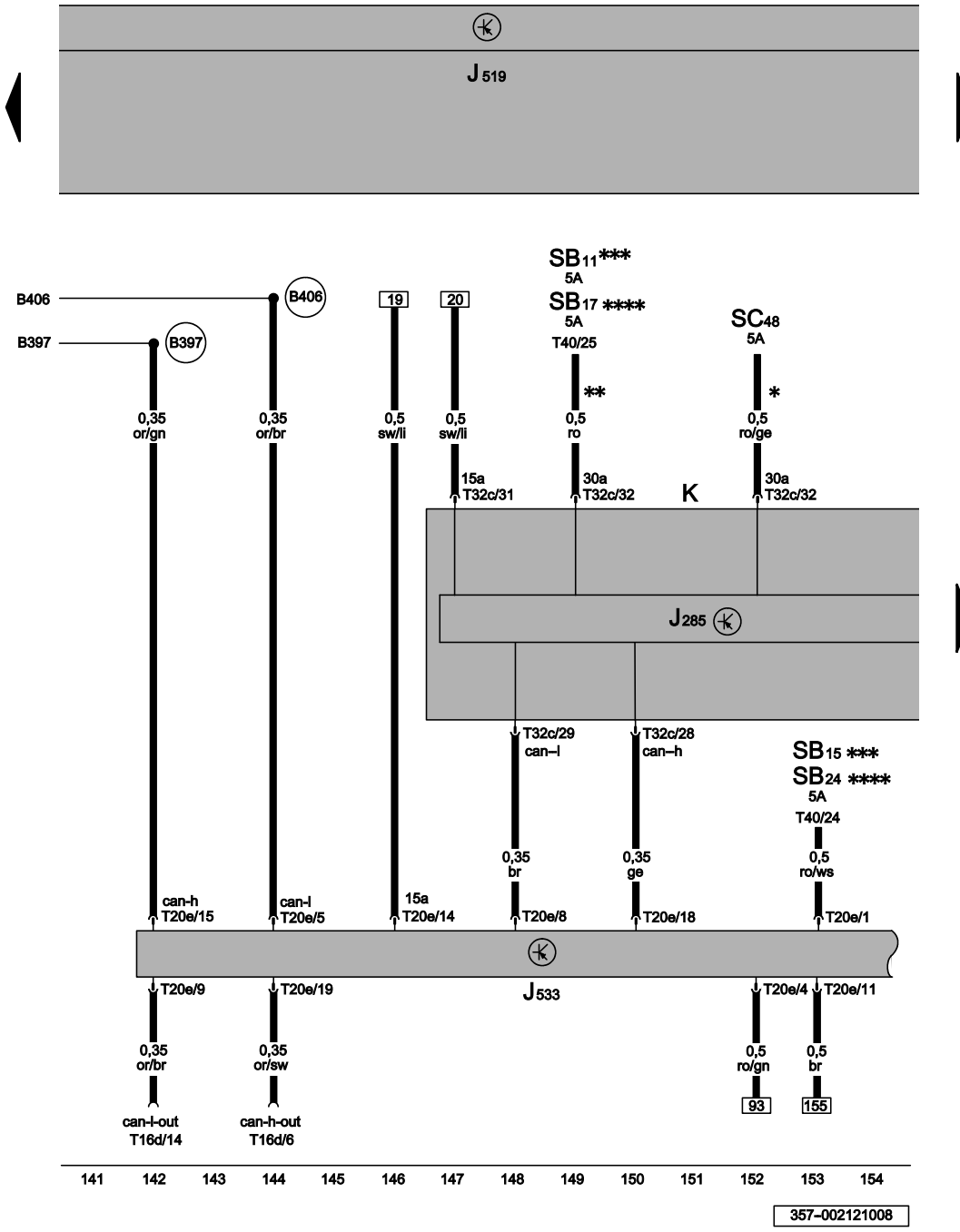
- F189 Tiptronic Switch
- J386 Driver's Door Control Module
- J387 Front Passenger's Door Control Module
- J519 Vehicle Electrical System Control Module
- J527 Steering Column Electronic Systems Control Module
- L131 Driver's Exterior Mirror Turn Signal Lamp
- L132 Front Passenger's Exterior Mirror Turn Signal Lamp
- T2dq Double Connector
- T2dx Double Connector
- T10o 10-Pin Connector
- T12m 12-Pin Connector
- T16k 16-Pin Connector
- T16l 16-Pin Connector
- T20d 20-Pin Connector
- T20g 20-Pin Connector
- T20h 20-Pin Connector
- T28 28-Pin Connector, connector station A-pillar, right
- T28c 28-Pin Connector, connector station A-pillar, left
- T32a 32-Pin Connector
- T32b 32-Pin Connector, grey
- W31 Left Front Entry Light
- W32 Right Front Entry Light
- W52 Driver's Entry Lamp (in outside mirror)
- W53 Front Passenger's Entry Lamp (in outside mirror)

(B397) Comfort System CAN-Bus High Connection 1 (in main wiring harness)

(B406) Comfort System CAN-Bus Low Connection 1 (in main wiring harness)

* Only models with automatic transmission

- ws = white
- sw = black
- ro = red
- br = brown
- gn = green
- bl = blue
- gr = grey
- li = lilac
- ge = yellow
- or = orange
- rs = pink



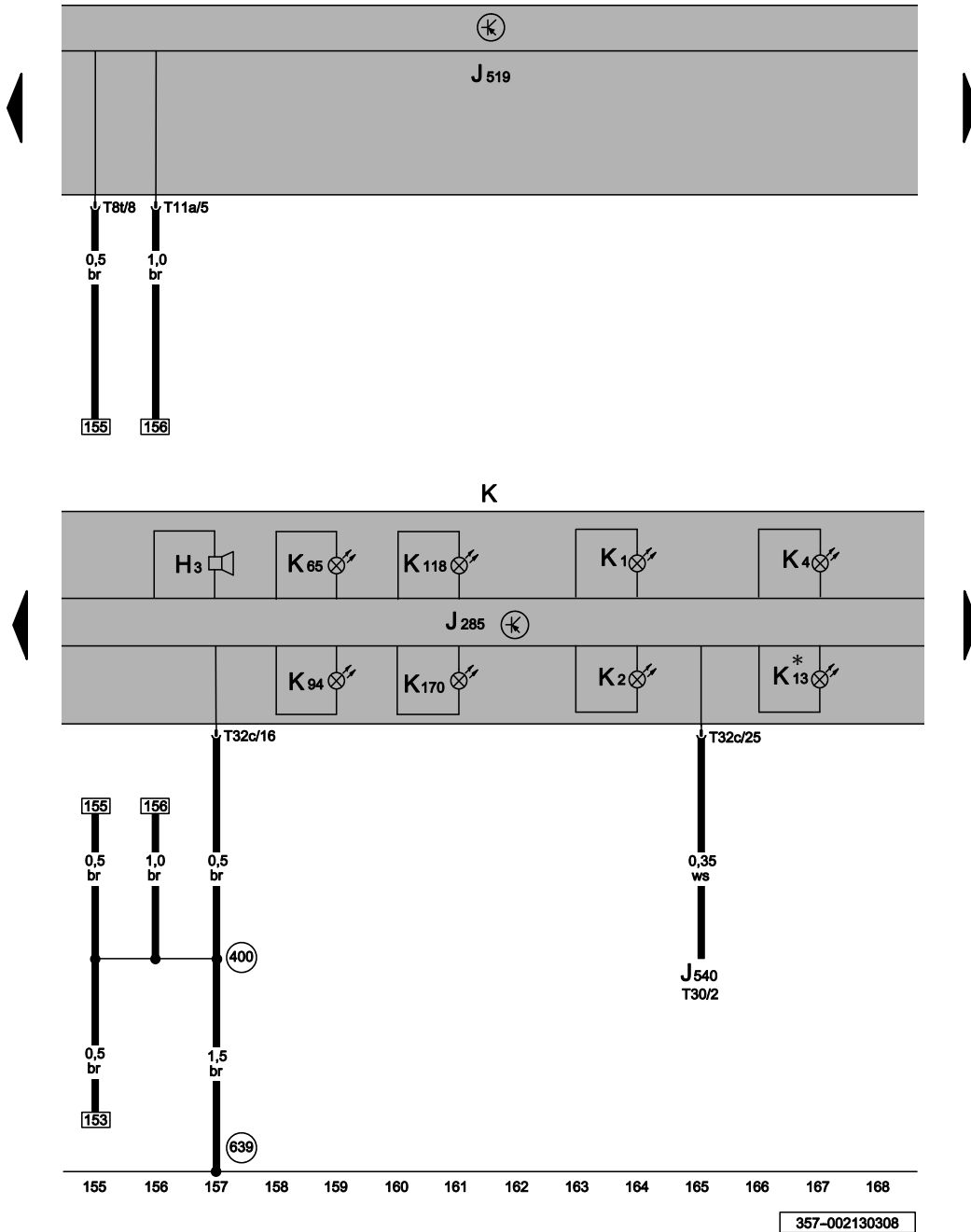
Instrument Cluster, Data Bus On Board Diagnostic Interface, Data Link Connector (DLC)

- J285 Instrument Cluster Control Module
- J519 Vehicle Electrical System Control Module
- J533 Data Bus On Board Diagnostic Interface
- K Instrument Cluster
- SB11 Fuse 11 (on fuse panel B)
- SB15 Fuse 15 (on fuse panel B)
- SB17 Fuse 17 (on fuse panel B)
- SB24 Fuse 24 (on fuse panel B)
- SC48 Fuse 48 (on fuse panel C)
- T16d 16-Pin Connector, Data Link Connector (DLC)
- T20e 20-Pin Connector
- T32c 32-Pin Connector
- T40 40-Pin Connector, on electronics box

- B397** Comfort System CAN-Bus High Connection 1 (in main wiring harness)
- B406** Comfort System CAN-Bus Low Connection 1 (in main wiring harness)
- * Applicable from November 2008
- ** Applicable through October 2008
- *** Only models with electronics box Low
- **** Only models with electronics box High

- ws = white
- sw = black
- ro = red
- br = brown
- gn = green
- bl = blue
- gr = grey
- li = lilac
- ge = yellow
- or = orange
- rs = pink

357-002121008



Instrument Cluster, Instrument Cluster Control Module, Indicator Lamps, Brake System Warning Lamp, Lamp Failure Indicator Lamp

- H3 Warning Buzzer
- J285 Instrument Cluster Control Module
- J519 Vehicle Electrical System Control Module
- J540 Electro-Mechanical Parking Brake Control Module
- K Instrument Cluster
- K1 High Beam Indicator Lamp
- K2 Generator (GEN) Warning Lamp
- K4 Parking Light Indicator Lamp
- K13 Rear Fog Lamp Indicator Lamp
- K65 Left Turn Signal Indicator Lamp
- K94 Right Turn Signal Indicator Lamp
- K118 Brake System Warning Lamp
- K170 Lamp Failure Indicator Lamp
- T8t 8-Pin Connector, black
- T11a 11-Pin Connector, brown
- T30 30-Pin Connector
- T32c 32-Pin Connector

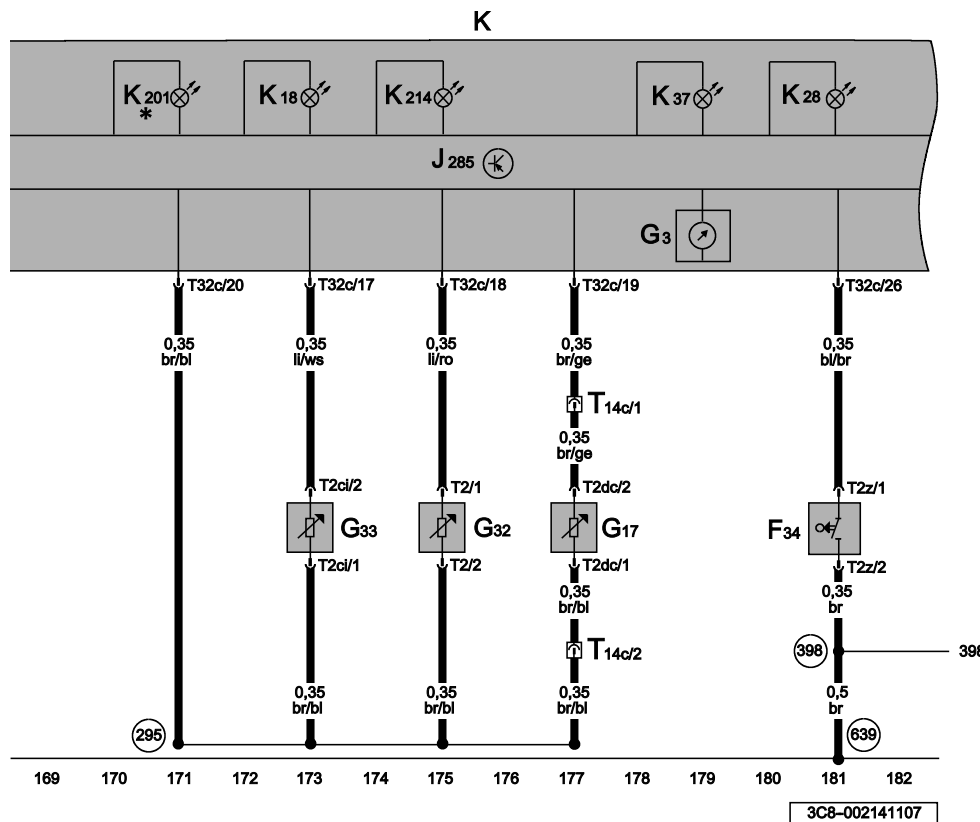
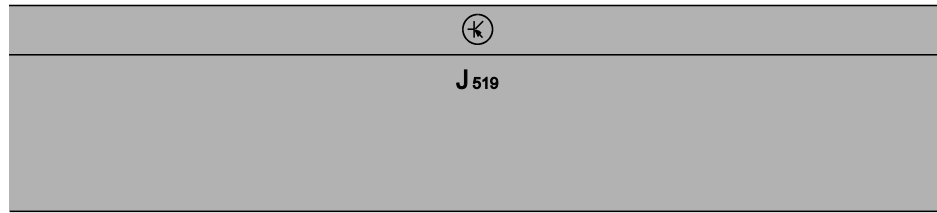
400 Ground Connection 35 (in main wiring harness)

639 Ground Connection (on left A-pillar)

* Where applicable to US/CDN

- ws = white
- sw = black
- ro = red
- br = brown
- gn = green
- bl = blue
- gr = grey
- li = lilac
- ge = yellow
- or = orange
- rs = pink

357-002130308



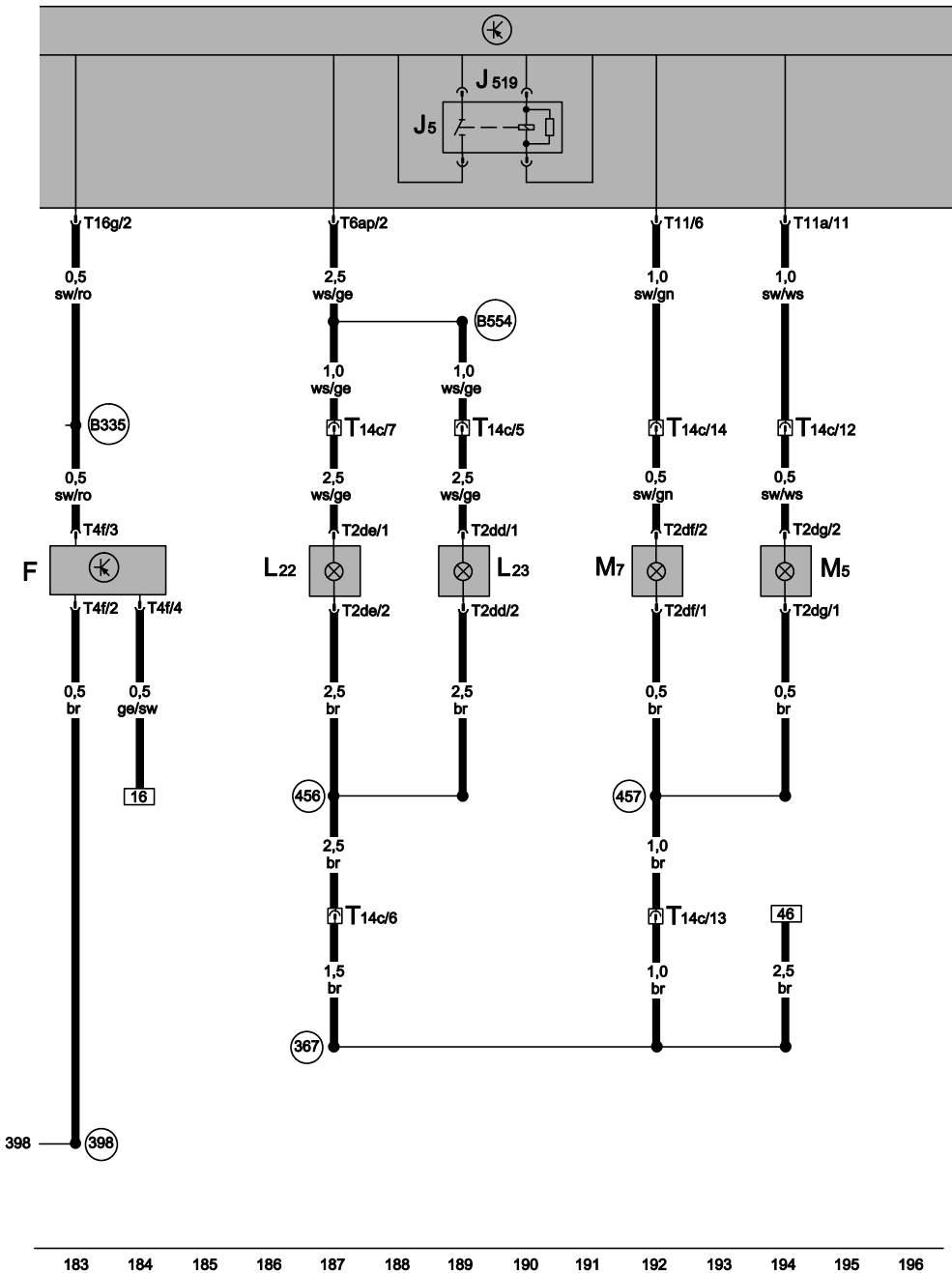
Instrument Cluster, Brake Fluid Level Warning Switch, Outside Air Temperature Sensor, Engine Coolant Level (ECL) Sensor, Windshield Washer Fluid Level Sensor

- F34 Brake Fluid Level Warning Switch
- G3 Engine Coolant Temperature (ECT) Gauge
- G17 Outside Air Temperature Sensor
- G32 Engine Coolant Level (ECL) Sensor
- G33 Windshield Washer Fluid Level Sensor
- J285 Instrument Cluster Control Module
- J519 Vehicle Electrical System Control Module
- K Instrument Cluster
- K18 Trailer Operation Indicator Lamp
- K28 Engine Coolant Level/Temperature (ECL/ECT) Warning Lamp
- K37 Low Windshield Washer Fluid Level Indicator Lamp
- K201 Fuel Filler Lid Lock Warning Lamp
- K214 Electric Park/Handbrake Malfunction Indicator Lamp
- T2 Double Connector
- T2z Double Connector
- T2ci Double Connector
- T2dc Double Connector
- T14c 14-Pin Connector, connector station front bumper
- T32c 32-Pin Connector

- 295 Ground Connection 10 (in passenger compartment wiring harness)
- 398 Ground Connection 33 (in main wiring harness)
- 639 Ground Connection (on left A-pillar)
- * Only applicable to US/CDN

- ws = white
- sw = black
- ro = red
- br = brown
- gn = green
- bl = blue
- gr = grey
- li = lilac
- ge = yellow
- or = orange
- rs = pink

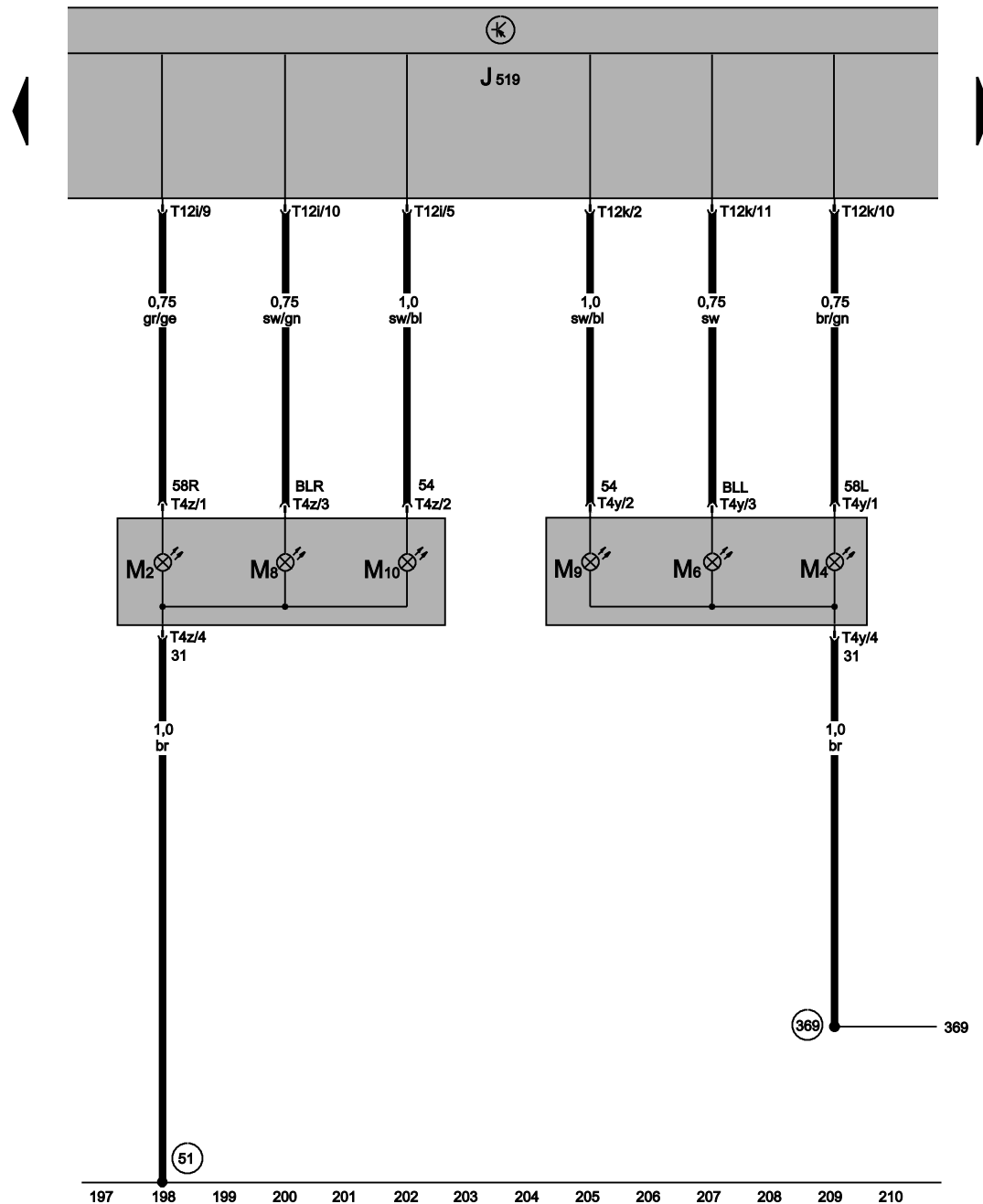
Turn Signal Lamps and Fog Lamps, Brake Light Switch, Fog Lamp Relay



- F Brake Light Switch
- J5 Fog Lamp Relay
- J519 Vehicle Electrical System Control Module
- L22 Left Front Fog Lamp
- L23 Right Front Fog Lamp
- M5 Left Front Turn Signal Lamp
- M7 Right Front Turn Signal Lamp
- T2dd Double Connector
- T2de Double Connector
- T2df Double Connector
- T2dg Double Connector
- T4f 4-Pin Connector
- T6ap 6-Pin Connector, black
- T11 11-Pin Connector, black
- T11a 11-Pin Connector, brown
- T14c 14-Pin Connector, connector station front left bumper
- T16g 16-Pin Connector, black

- 367 Ground Connection 2 (in main wiring harness)
- 398 Ground Connection 33 (in main wiring harness)
- 456 Ground Connection 1 (in front bumper wiring harness)
- 457 Ground Connection 2 (in front bumper wiring harness)
- B335 Connection 1 (54) (in main wiring harness)
- B554 Connection fog lamp (in main wiring harness)

- ws = white
- sw = black
- ro = red
- br = brown
- gn = green
- bl = blue
- gr = grey
- li = lilac
- ge = yellow
- or = orange
- rs = pink



Lamps for Tail Lights, Turn Signal Lamps, Brake Lamps

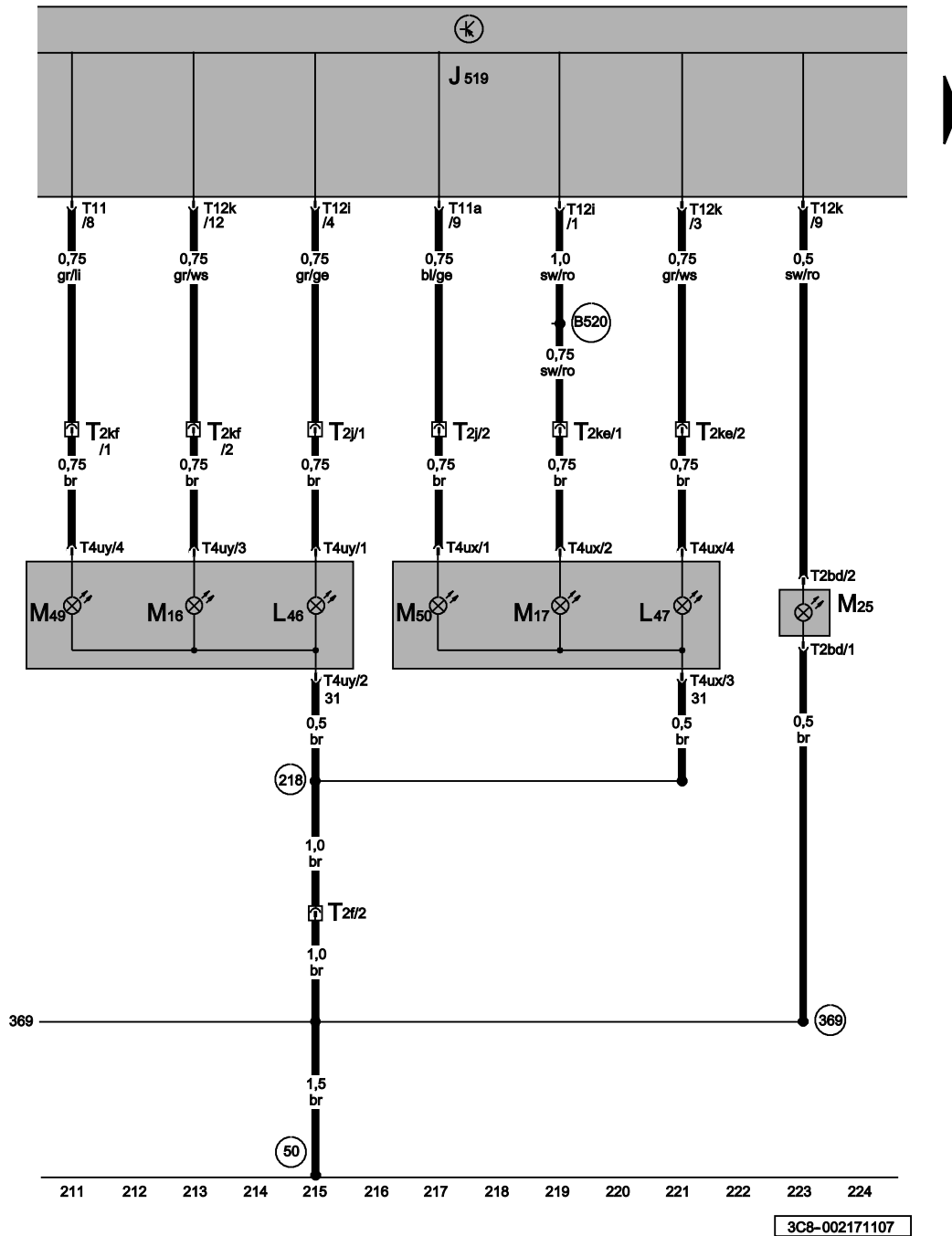
- J519 Vehicle Electrical System Control Module
- M2 Right Taillamp
- M4 Left Taillamp
- M6 Left Rear Turn Signal Lamp
- M8 Right Rear Turn Signal Lamp
- M9 Left Brake Lamp
- M10 Right Brake Lamp
- T4y 4-Pin Connector
- T4z 4-Pin Connector
- T12i 12-Pin Connector, black
- T12k 12-Pin Connector, brown

51 Ground Connection (in luggage compartment, right)

369 Ground Connection 4 (in main wiring harness)

- ws = white
- sw = black
- ro = red
- br = brown
- gn = green
- bl = blue
- gr = grey
- li = lilac
- ge = yellow
- or = orange
- rs = pink

3C8-002161107



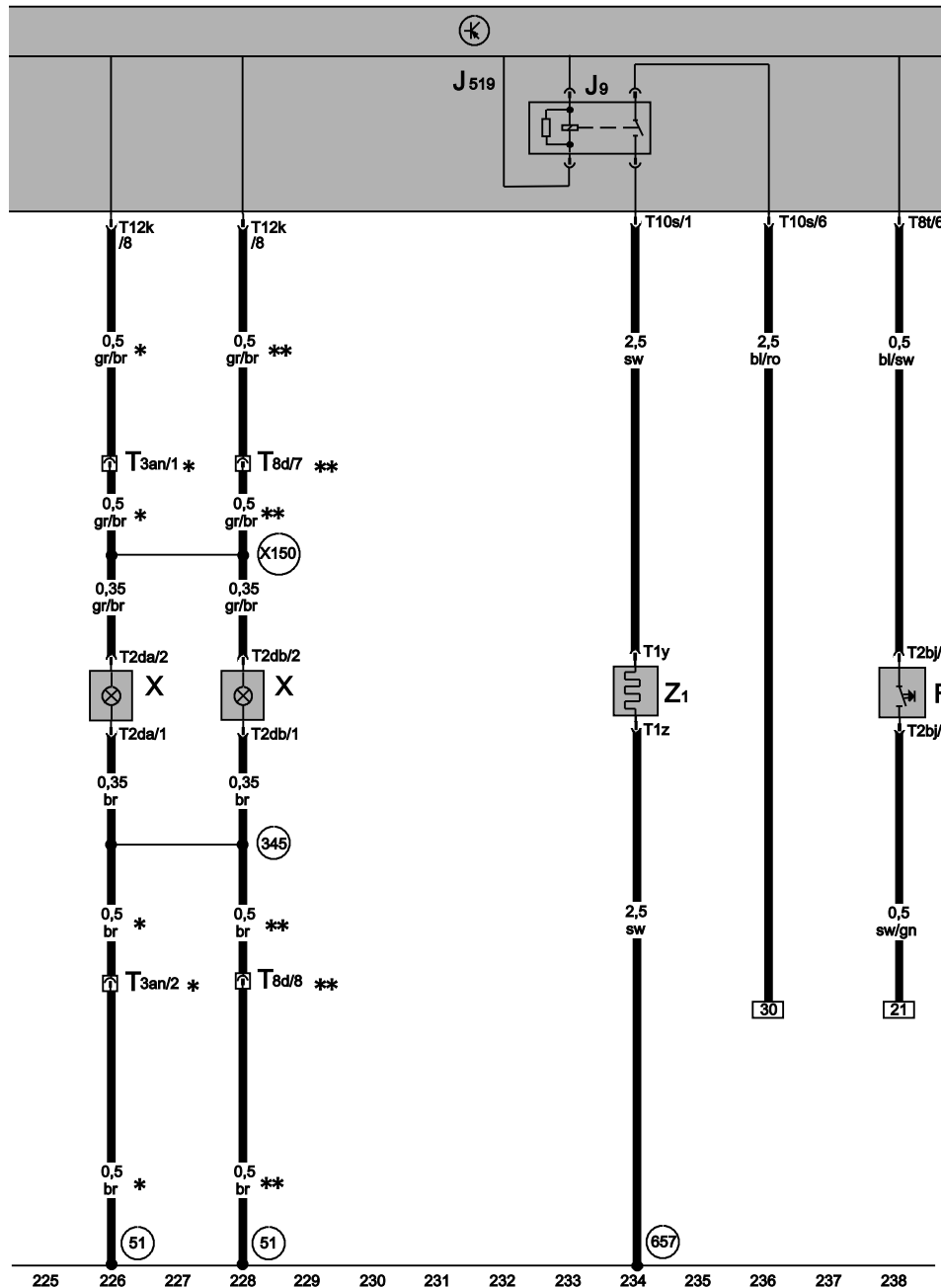
Taillamp Rear Lid

- J519 Vehicle Electrical System Control Module
- L46 Left Rear Fog Lamp
- L47 Right Rear Fog Lamp
- M16 Left Back-Up Lamp
- M17 Right Back-Up Lamp
- M25 High-mount Brake Light
- M49 Left Taillight Lamp 2
- M50 Right Taillight Lamp 2
- T2f Double Connector, green, connector station rear lid
- T2j Double Connector, black, connector station rear lid
- T2bd Double Connector
- T2ke Double Connector, brown
- T2kf Double Connector
- T4uy 4-Pin Connector
- T4ux 4-Pin Connector
- T11 11-Pin Connector, black
- T11a 12-Pin Connector, black
- T12i 12-Pin Connector, black
- T12k 12-Pin Connector, brown

- 50 Ground Connection (in luggage compartment, left)
- 218 Ground Connection 1 (in rear lid wiring harness)
- 369 Ground Connection 4 (in main wiring harness)
- B520 Connection (RF) (in main wiring harness)

- ws = white
- sw = black
- ro = red
- br = brown
- gn = green
- bl = blue
- gr = grey
- li = lilac
- ge = yellow
- or = orange
- rs = pink

3C8-002171107



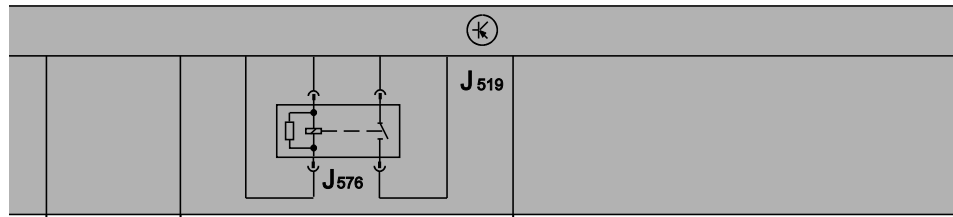
Back-Up Light Switch, License Plate Light Sedan, Rear Window Defogger Relay, Heated Rear Window

- F4 Back-Up Light Switch
- J9 Rear Window Defogger Relay
- J519 Vehicle Electrical System Control Module
- T1y Single Connector
- T1z Single Connector
- T2da Double Connector
- T2db Double Connector
- T2bj Double Connector
- T3an 3-Pin Connector, black, connector station rear bumper
- T8d 8-Pin Connector, black, connector station rear bumper
- T8t 8-Pin Connector
- T10s 10-Pin Connector, black
- T12k 12-Pin Connector, brown
- X License Plate Light
- Z1 Heated Rear Window

- 51 Ground Connection (in luggage compartment, right)
- 345 Ground Connection (in bumper wiring harness)
- 657 Ground Connection 1 (left, near rear window)
- X150 Connection (58) (in rear bumper wiring harness)
- * Only models without parking aid
- ** Only models with Parking Aid

- ws = white
- sw = black
- ro = red
- br = brown
- gn = green
- bl = blue
- li = lilac
- ge = yellow
- or = orange
- rs = pink

3C8-002181107

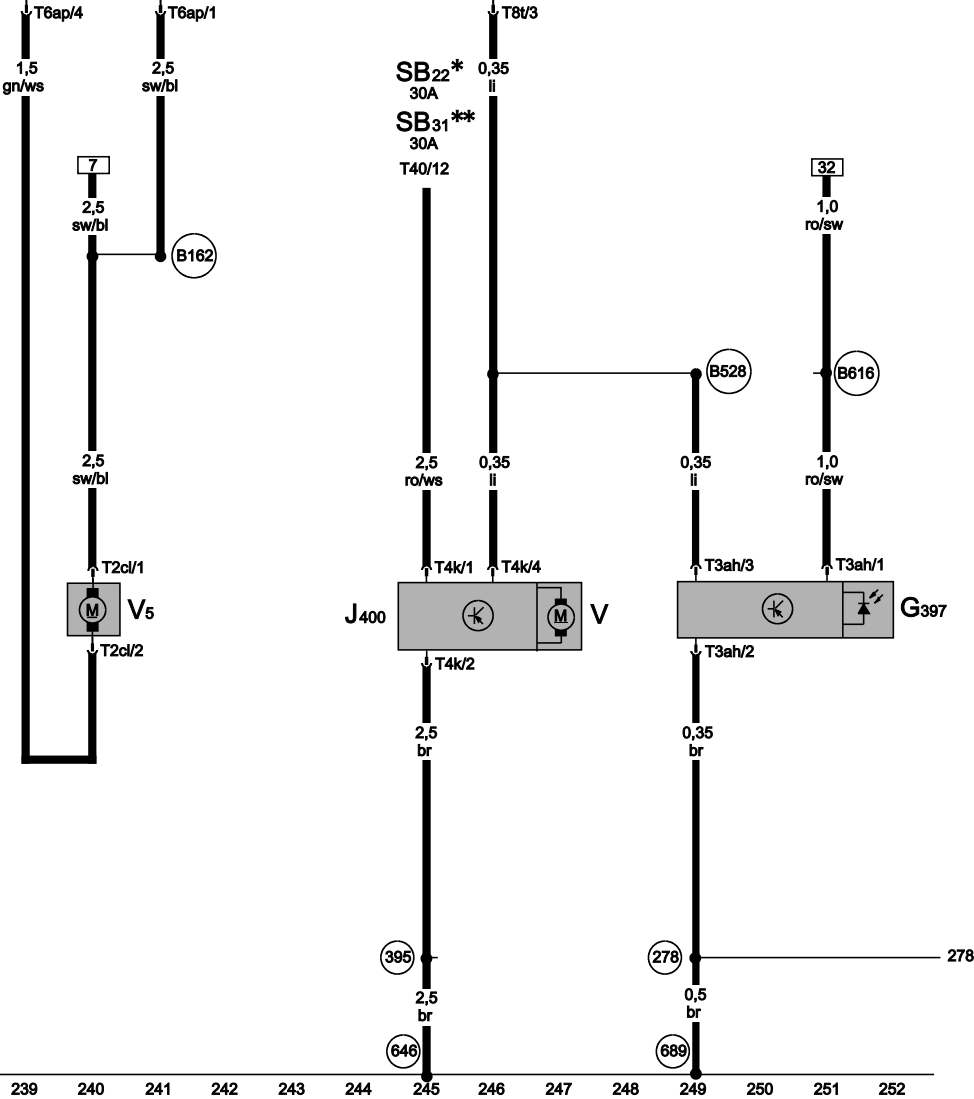


Rain/Light Recognition Sensor, Wiper Motor Control Module, Windshield Washer Pump, Windshield Washer Pump Relay

- G397 Rain/Light Recognition Sensor
- J400 Wiper Motor Control Module
- J519 Vehicle Electrical System Control Module
- J576 Windshield Washer Pump Relay
- SB22 Fuse 22 (on fuse panel B)
- SB31 Fuse 31 (on fuse panel B)
- T2cl Double Connector
- T3ah 3-Pin Connector, black
- T4k 4-Pin Connector, black
- T6ap 6-Pin Connector, black
- T8t 8-Pin Connector, black
- T40 40-Pin Connector, on electronics box
- V Windshield Wiper Motor
- V5 Windshield Washer Pump

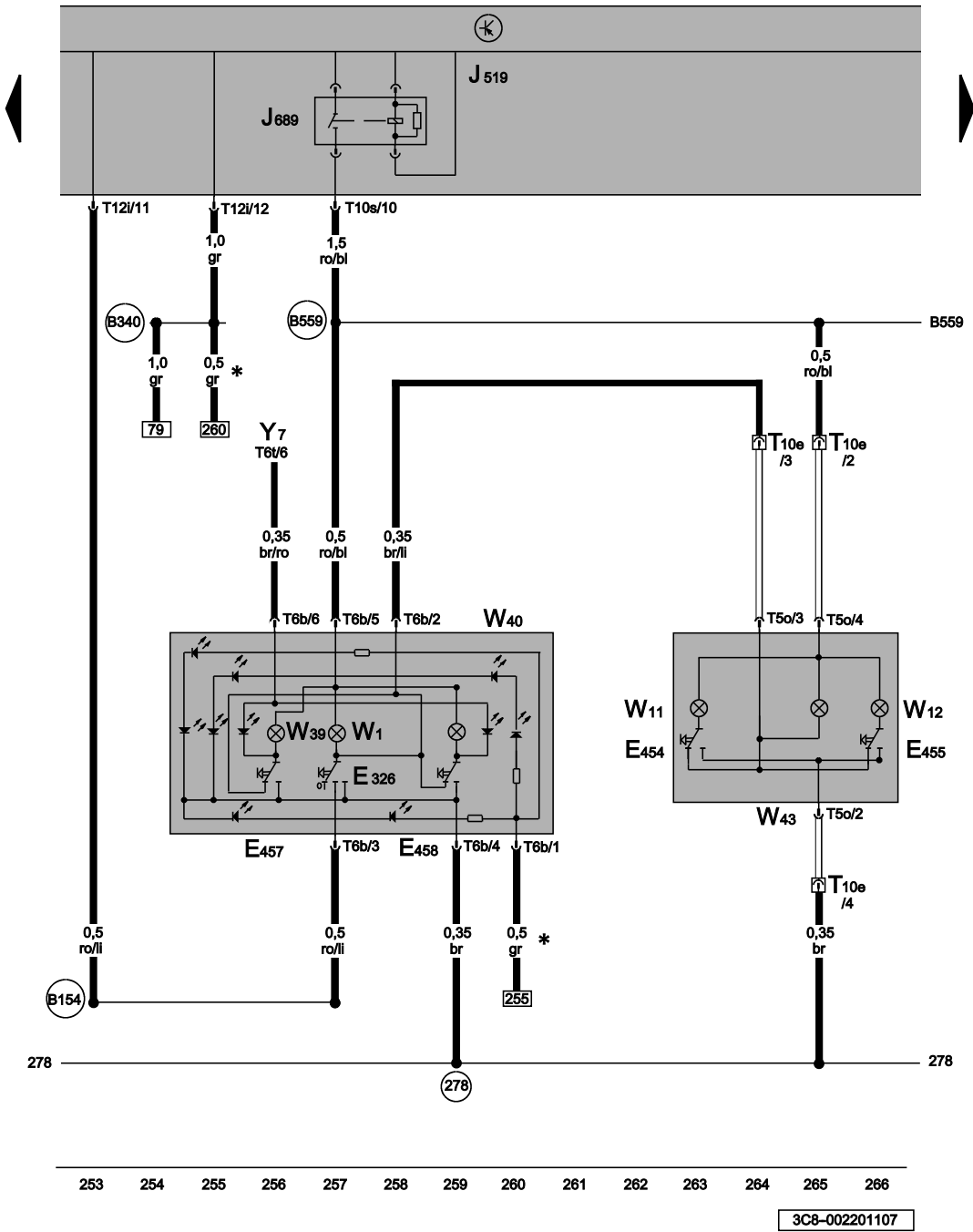
- (278) Ground Connection 4 (in passenger compartment wiring harness)
- (395) Ground Connection 30 (in main wiring harness)
- (646) Ground Connection 2 (on firewall)
- (689) Ground Connection (on center/front roof)
- (B162) Connection (75a) (in interior wiring harness)
- (B528) LIN-Bus Connection 1 (in main wiring harness)
- (B616) Plus Connection 12 (30a) (in interior wiring harness)
- * Fuses in electronics box Low
- ** Fuses in electronics box High

- ws = white
- sw = black
- ro = red
- br = brown
- gn = green
- bl = blue
- gr = grey
- li = lilac
- ge = yellow
- or = orange
- rs = pink



3C8-002191107

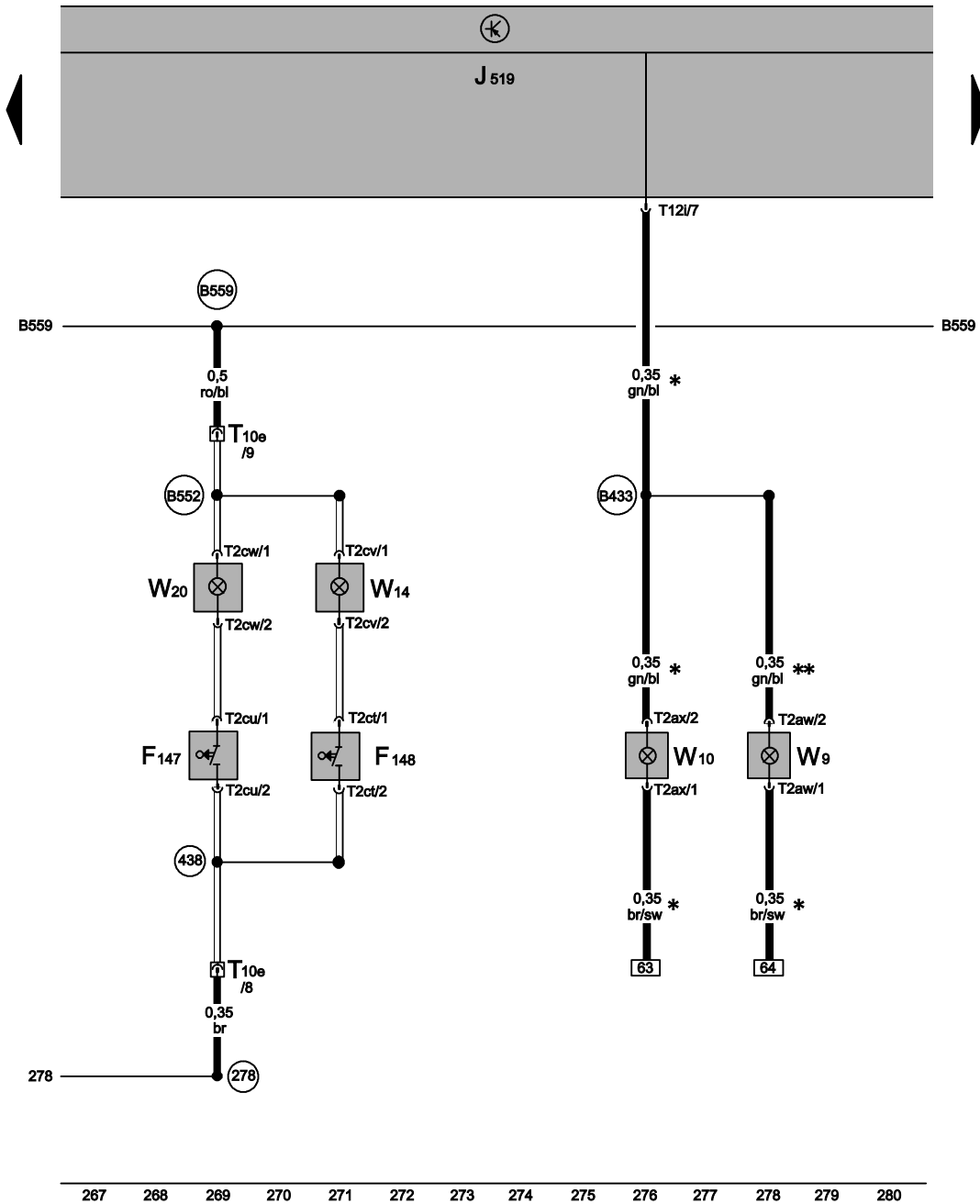
Front Interior Light, Left Rear Reading Light, Right Rear Reading Light, Left Center Reading Light, Right Center Reading Light, Rear Interior Light



- E326 Front Interior Lamp Button
- E454 Left Rear Reading Light Switch
- E455 Right Rear Reading Light Switch
- E457 Driver's Reading Light Button
- E458 Front Passenger's Reading Light Button
- J519 Vehicle Electrical System Control Module
- J689 Power Supply Relay 2 (terminal 30)
- T5o 5-Pin Connector
- T6b 6-Pin Connector, blue
- T6t 6-Pin Connector, black
- T10e 10-Pin Connector, blue, connector station roof wiring harness
- T10s 10-Pin Connector, black
- T12i 12-Pin Connector, black
- W1 Front Interior Light
- W11 Left Rear Reading Light
- W12 Right Rear Reading Light
- W39 Left Center Reading Light
- W40 Right Center Reading Light
- W43 Rear Interior Light
- Y7 Automatic Day/Night Interior Mirror

- (278) Ground Connection 4 (in passenger compartment wiring harness)
- (B154) Connection 1 (TK) (in interior wiring harness)
- (B340) Connection 1 (58d) (in main wiring harness)
- (B559) Plus Connection 1 (30g) (in main wiring harness)
- * Only models with sunroof
- ▬ Foil Conductor

- ws = white
- sw = black
- ro = red
- br = brown
- gn = green
- bl = blue
- gr = grey
- li = lilac
- ge = yellow
- or = orange
- rs = pink



Driver's and Front Passenger's Make-Up Mirror Light Contact Switch, Glove Compartment Light

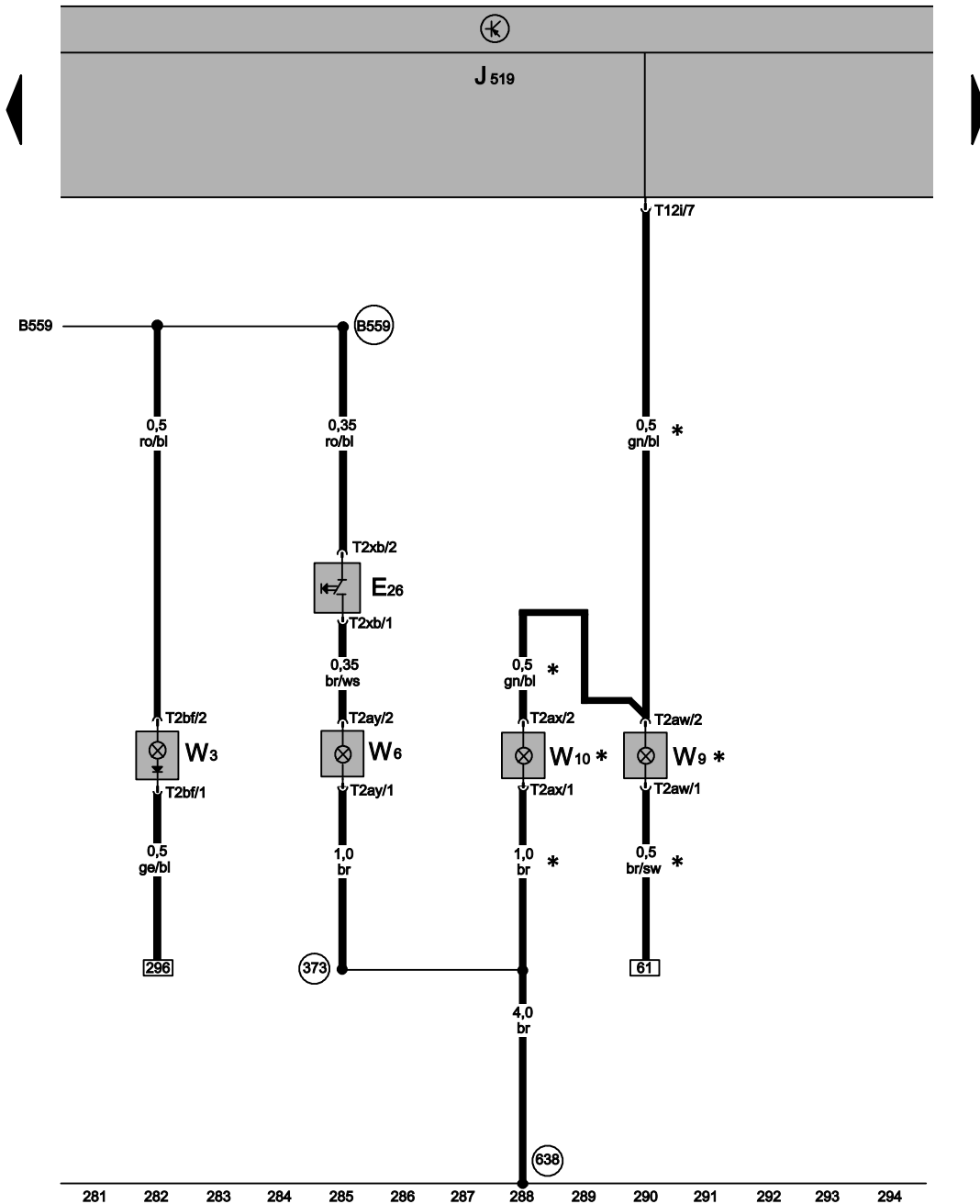
- F147 Driver's Make-Up Mirror Light Contact Switch
- F148 Front Passenger's Make-Up Mirror Light Contact Switch
- J519 Vehicle Electrical System Control Module
- T2ct Double Connector
- T2cu Double Connector
- T2cv Double Connector
- T2cw Double Connector
- T10e 10-Pin Connector, blue, connector station roof
- T12i 12-Pin Connector, black
- W9 Left Footwell Light
- W10 Right Footwell Light
- W14 Front Passenger's Illuminated Make-up Mirror
- W20 Driver's Illuminated Make-up Mirror

- (278) Ground Connection 4 (in passenger compartment wiring harness)
- (438) Ground Connection 3 (in roof wiring harness)
- (B433) Footwell illumination Connection (in main wiring harness)
- (B552) Plus Connection 2 (in roof wiring harness)
- (B559) Plus Connection 1 (30g) (in main wiring harness)
- Foil Conductor
- * Only models with Footwell Illumination

- ws = white
- sw = black
- ro = red
- br = brown
- gn = green
- bl = blue
- gr = grey
- li = lilac
- ge = yellow
- or = orange
- rs = pink

267 268 269 270 271 272 273 274 275 276 277 278 279 280

357-002211008



Glove Compartment Lamp Switch, Luggage Compartment Light, Footwell Lights

- E26 Glove Compartment Lamp Switch
- J519 Vehicle Electrical System Control Module
- T2aw Double Connector, black
- T2ax Double Connector, black
- T2ay Double Connector
- T2bf Double Connector, red
- T2xb Double Connector
- T12i 12-Pin Connector, black
- W3 Luggage Compartment Light
- W6 Glove Compartment Light
- W9 Left Footwell Light
- W10 Right Footwell Light

373 Ground Connection 8 (in main wiring harness)

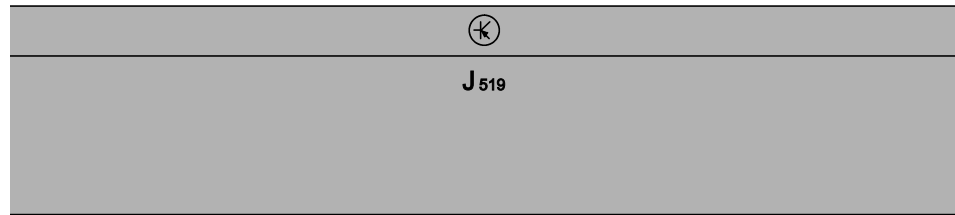
638 Ground Connection (on right A-pillar)

B559 Plus Connection 1 (30g) (in main wiring harness)

* Applicable through October 2008

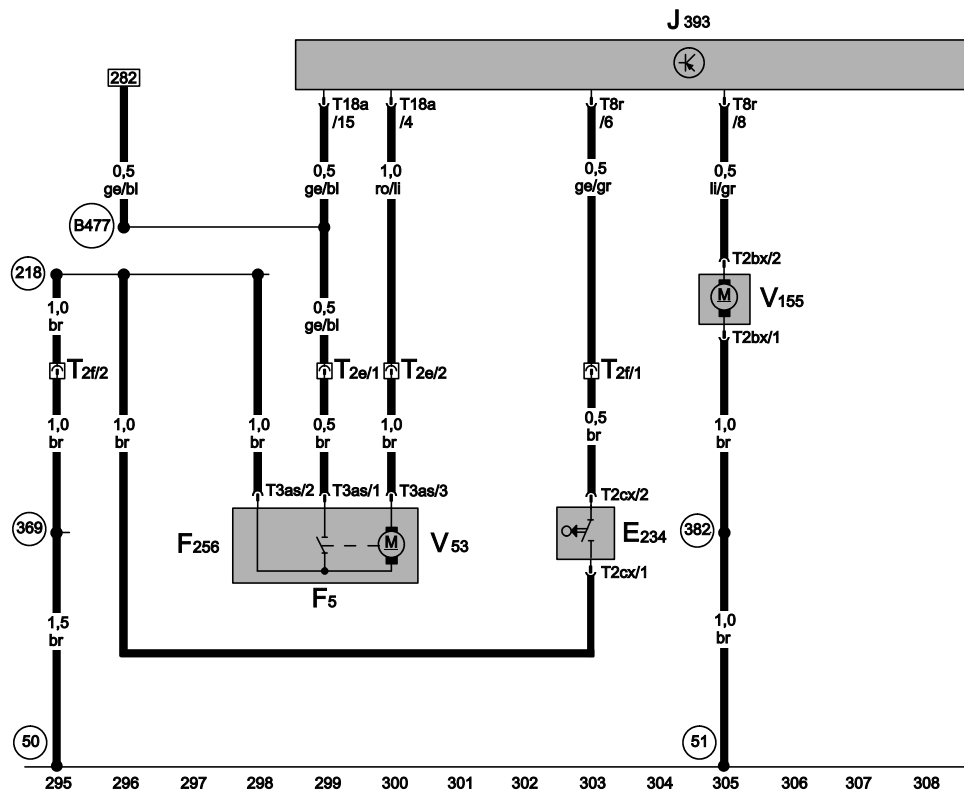
- ws = white
- sw = black
- ro = red
- br = brown
- gn = green
- bl = blue
- gr = grey
- li = lilac
- ge = yellow
- or = orange
- rs = pink

357-002221008



Rear Lid Handle Unlock Switch, Rear Lid Central Locking System Motor, Fuel Tank Lid Unlock Motor

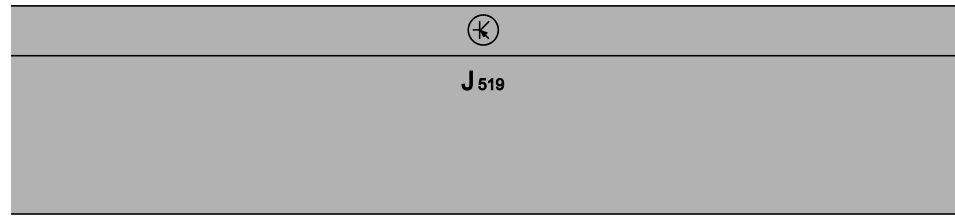
- E234 Rear Lid Handle Unlock Switch
- F5 Luggage Compartment Light Switch
- F256 Rear Lid Lock Unit
- J393 Comfort System Central Control Module
- J519 Vehicle Electrical System Control Module
- T2e Double Connector, red, connector station rear lid
- T2f Double Connector, green, connector station rear lid
- T2bx Double Connector
- T2cx Double Connector
- T3as 3-Pin Connector, rear lid lock, sedan
- T8r 8-Pin Connector
- T18a 18-Pin Connector
- V53 Rear Lid Central Locking System Motor
- V155 Fuel Tank Lid Unlock Motor



357-002231008

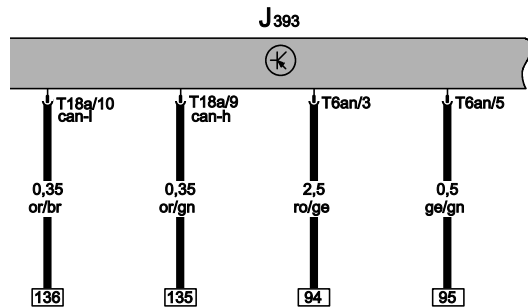
- ws = white
- sw = black
- ro = red
- br = brown
- gn = green
- bl = blue
- gr = grey
- li = lilac
- ge = yellow
- or = orange
- rs = pink

- 50 Ground Connection (in luggage compartment, left)
- 51 Ground Connection (in luggage compartment, right)
- 218 Ground Connection 1 (in rear lid wiring harness)
- 369 Ground Connection 4 (in main wiring harness)
- 382 Ground Connection 17 (in main wiring harness)
- B477 Connection 13 (in main wiring harness)



Comfort System Central Control Module

- J393 Comfort System Central Control Module
- J519 Vehicle Electrical System Control Module
- T6an 6-Pin Connector
- T18a 18-Pin Connector



- ws = white
- sw = black
- ro = red
- br = brown
- gn = green
- bl = blue
- gr = grey
- li = lilac
- ge = yellow
- or = orange
- rs = pink

309 310 311 312 313 314 315 316 317 318 319 320 321 322

357-002241008